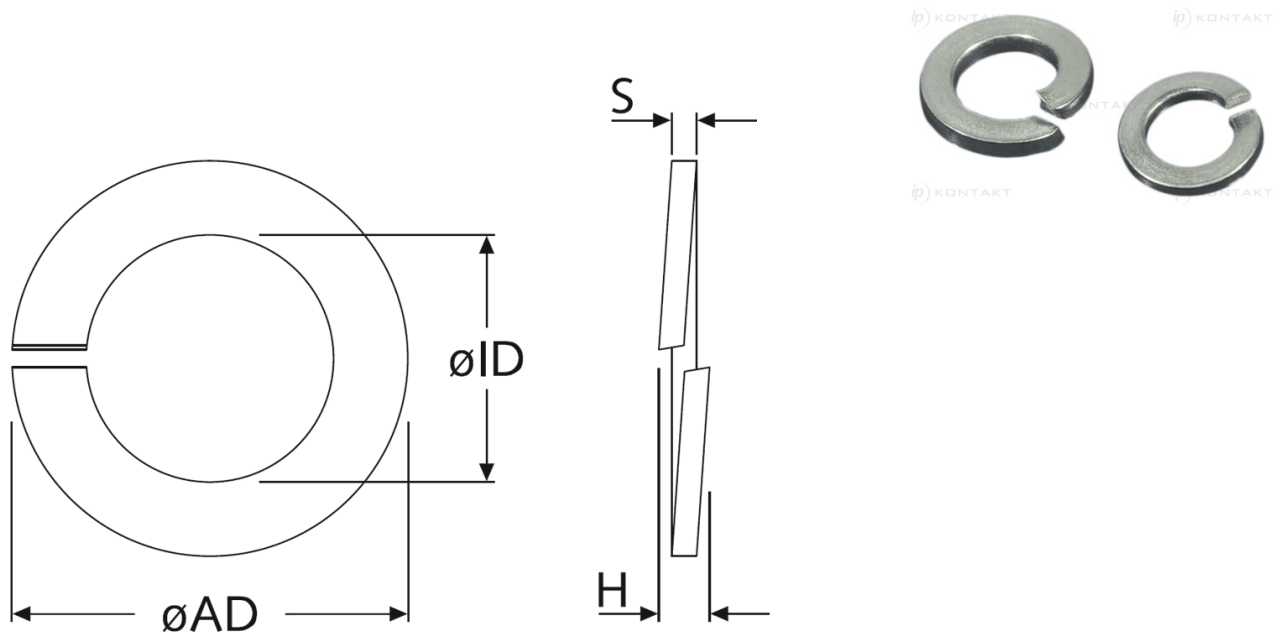


AR-POS127B - Metal split lock washers



Details:

- Material: see table

Symbol	For thread	Int. diameter $\varnothing ID$	Ext. diameter $\varnothing AD$	Height H max.	S	Material
		[mm]	[mm]	[mm]	[mm]	
AR-POS127B-28862	M2	2.1	4.4	1.2	0.5	zinc-plated steel
AR-POS127B-28863	M2	2.1	4.4	1.2	0.5	stainless steel A2
AR-POS127B-21262	M2.5	2.6	5.1	1.4	0.6	zinc-plated steel
AR-POS127B-21269	M2.5	2.6	5.1	1.4	0.6	stainless steel A2
AR-POS127B-21263	M3	3.1	6.2	1.9	0.8	zinc-plated steel
AR-POS127B-21270	M3	3.1	6.2	1.9	0.8	stainless steel A2
AR-POS127B-21264	M4	4.1	7.6	2.1	0.9	zinc-plated steel
AR-POS127B-21271	M4	4.1	7.6	2.1	0.9	stainless steel A2
AR-POS127B-21265	M5	5.1	9.2	2.8	1.2	zinc-plated steel
AR-POS127B-28242	M5	5.1	9.2	2.8	1.2	stainless steel A2
AR-POS127B-21266	M6	6.1	11.8	3.8	1.6	zinc-plated steel
AR-POS127B-28243	M6	6.1	11.8	3.8	1.6	stainless steel A2
AR-POS127B-21267	M8	8.1	14.8	4.7	2	zinc-plated steel
AR-POS127B-28864	M8	8.1	14.8	4.7	2	stainless steel A2
AR-POS127B-21268	M10	10.2	18.1	5.2	2.2	zinc-plated steel
AR-POS127B-28865	M10	10.2	18.1	5.2	2.2	stainless steel A2
AR-POS127B-48374	UNC4-40	2.9	4.7	1.2	0.8	zinc-plated steel