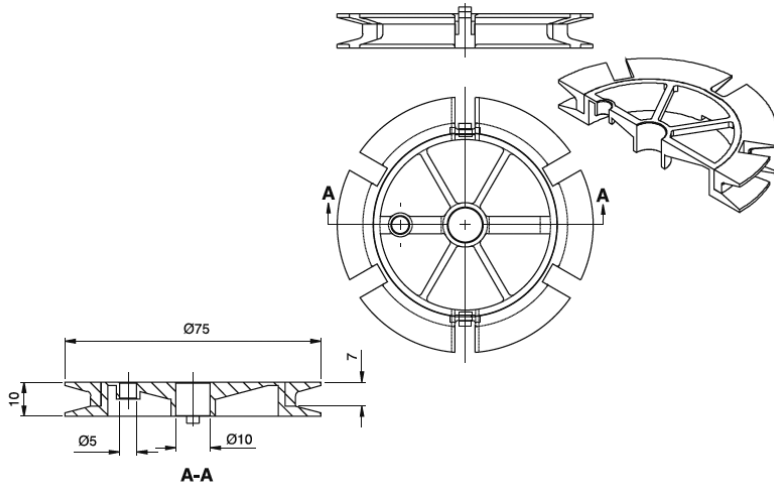


EFA04-67-ASS - Fiber Winding Reel



Details:

- **Material: Nylon 6, UL 94 V-0, RMS-178***
- **Colour: black**
- **Standard pack: 100/Bag**

| Part No. | Standard pack | Colour |
|--------------|---------------|--------|
| | [pcs] | |
| EFA04 67 ASS | 50 | BLK |