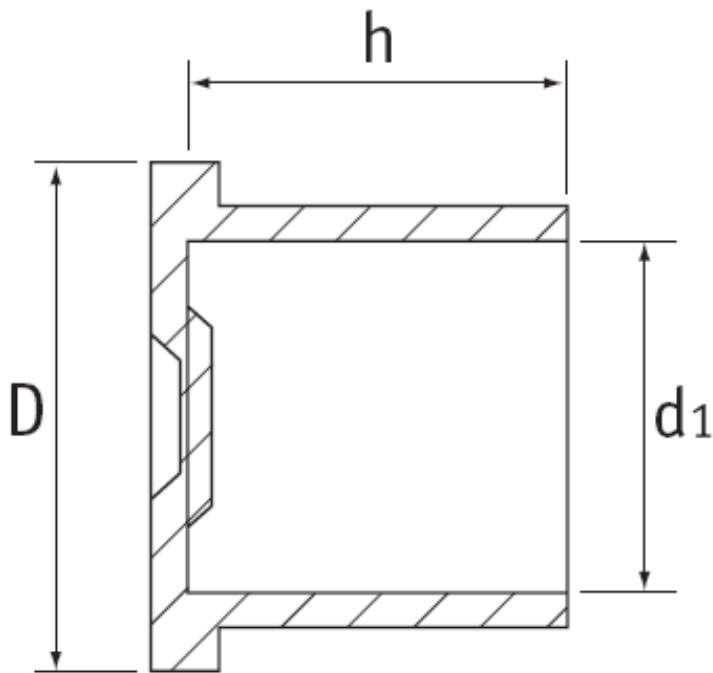


O-NZK - Straight Flanged Caps



Details:

- **Material: LDPE**
- **Color: natural**
- Typically used to protect BSP / NPT threads with or without O-Rings

Part No.	Thread	D	d1	h	Standard pack
		[mm]			[pcs]
O-NZK-M-235	M16	23.5	15.7	12	5000