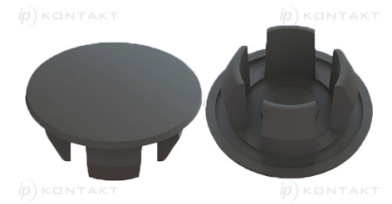
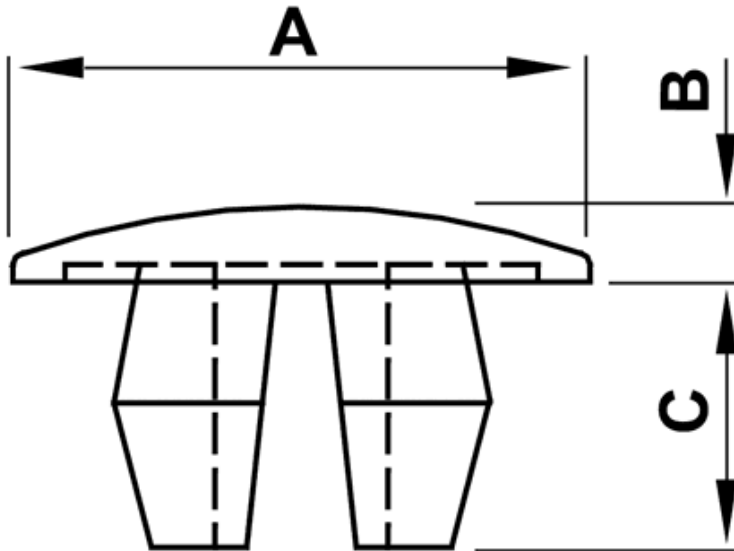


FP-0226 - Plugs



Details:

- **Material:** Nylon 6.6
- **Flammability:** UL94V2
- **Color:** natural or black
- **Working temperature:** -30°C do +85°C

Part No.	A	B	C	Hole	Panel thickness	Standard pack	Colour
	[mm]					[pcs]	
0233AA01	Ø25.0	2	8.5	Ø19.5	1.0 - 4.0	2500	black