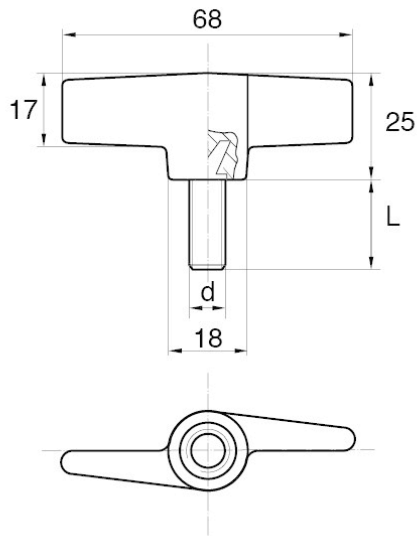


## BL-SMM50 - Wing screws



### Details:

- **Handle material:** Nylon
- **Stud material:** Zinc-plated steel; Stainless steel or brass available on special order
- **Handle colour:** black; other colours available on special order
- Optional cover available
- M10 screws available on special order

Part No.	Thread d	L	Standard pack
		[mm]	[pcs]
BL-SMM50-M6-20	M6	20	5000