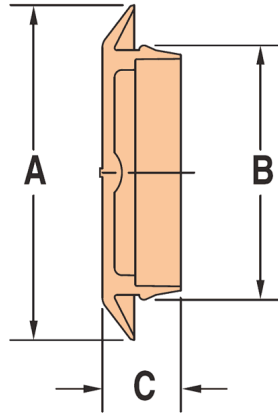
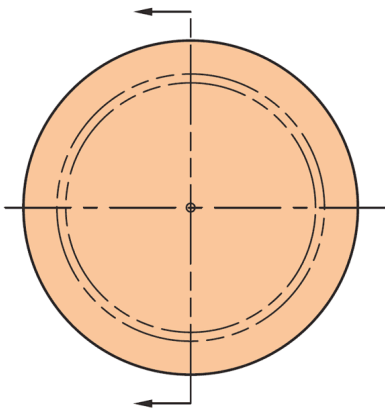


H-SMP-F - Sheet Metal Flush Plugs



Details:

- **Material: LDPE or EVA (Ethylene Vinyl Acetate)**
- **Colour: black**
- **Temperature range:**
 - LDPE: -70°C to 66°C
 - EVA: -98°C to 60°C

Part No.	Panel thickness	Mounting hole diameter	A	B	C	Material
	[mm]					
H-9669	0.76 - 2.03	63.5	76.2	65.0	6.4	LDPE