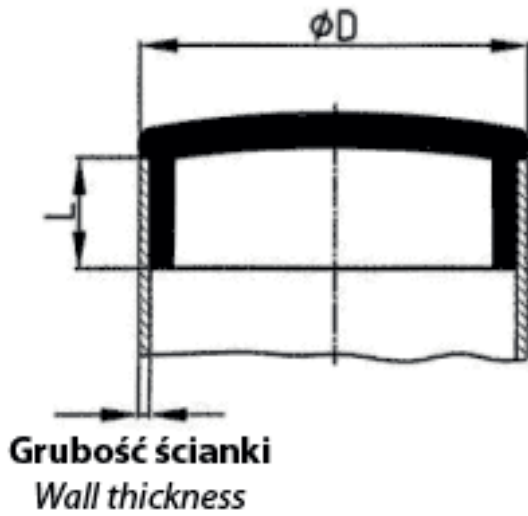


BM-WOABS - Round inserts in black ABS



Details:

- **Material: ABS**
- **Colour: black**

| Part No. | D | L | Tube wall thickness |
|----------------|------|-----|---------------------|
| | [mm] | | |
| BM-WOABS-18-12 | 18 | 8.0 | 1.2 |