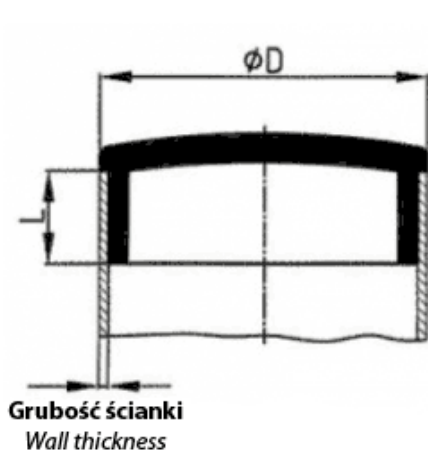


BM-WOBCR - Round dark chrome inserts



Details:

- **Material: ABS**
- **Colour: dark chrome**

Part No.	D	L	Tube wall thickness
	[mm]		
BM-WOBCR-32-15	32	10.0	1.5