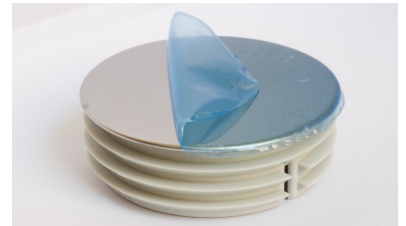
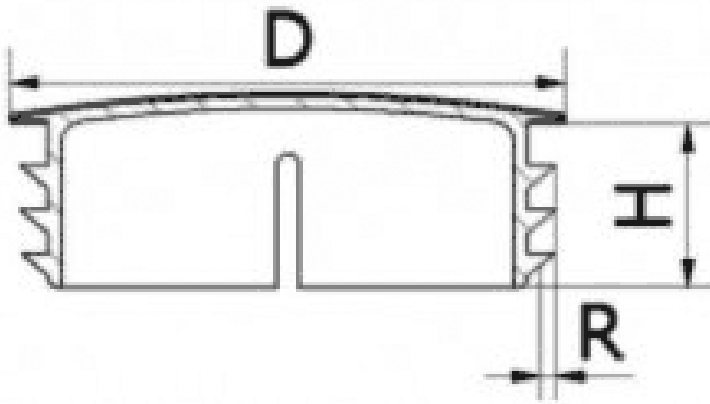


T-WOCR - Chrome round tube insert



Details:

- **Material: PP**
- **Round tube insert with polished chrome plate, protected with removable film**
- **Firm and strong plate mounting.**
- **Angular ribs provides good grip.**
- **Standard pack: 500 pcs.**

Part No.	D	R Wall thickness	H
	[mm]		
T-WOCR-25-15	25	0.8 - 1.5	10.5