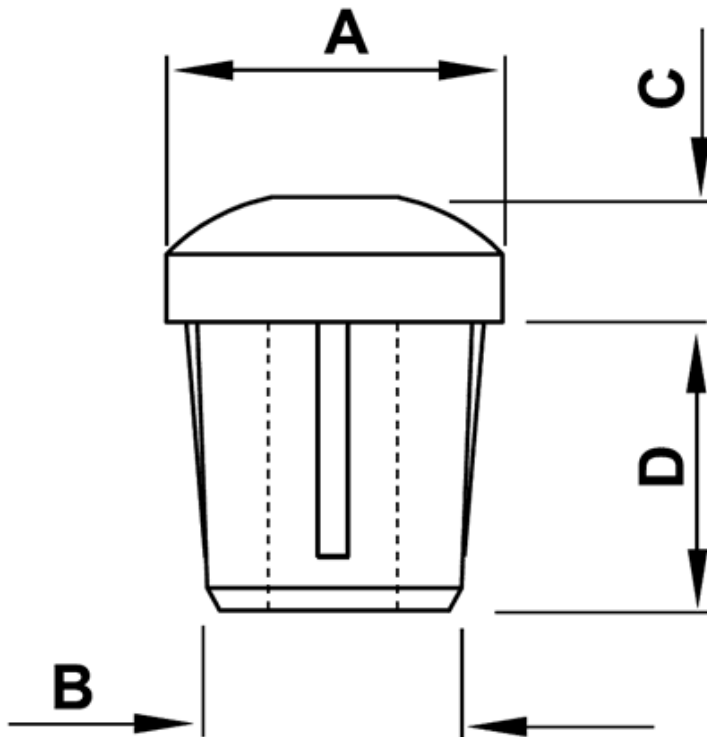


FP-5324 - Push-in feet



Details:

- **Material: TPE**
- **Color: black**
- Working temperature: -28°C do +90°C
- Material available on special order: TPE, working temperature up to +130°C
- Standard pack: 2500 pcs

Part No.	A	B	C	D	E	Material	Standard pack
	[mm]						[pcs]
5324PF01	14.8	12.5	6	12		TPE	2500