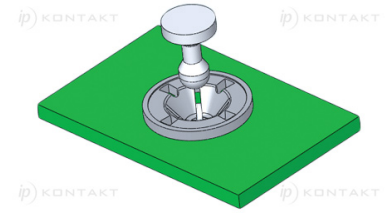
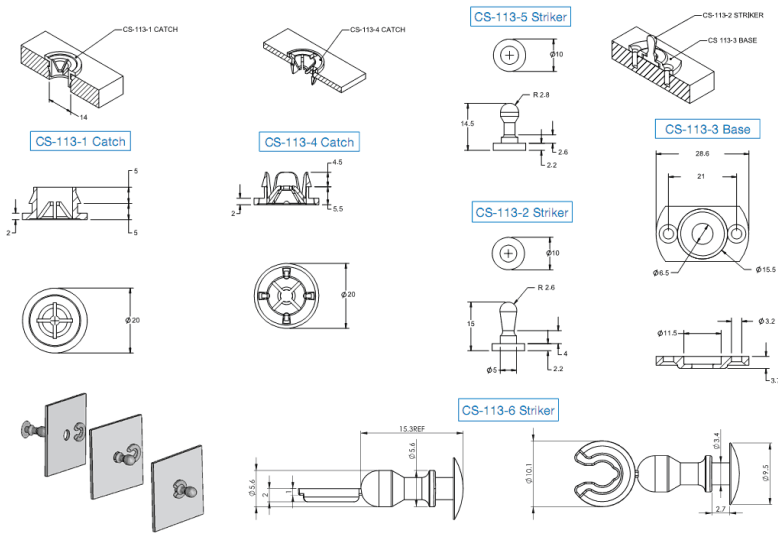


CS - Catch and Striker



Details:

- **Nylon 6/6, UL 94 HB, RMS-73 ***
- **Color: black**
- **Nylon 6, UL 94 V-2, RMS- 139 ***
- **Color: natural**
- **Nylon 6/6, UL 94 V-2, RMS-01 ***
- **Color: natural**
- **Acetal, UL 94 HB, RMS-39 ***
- **Color: black**
- **Standard pack: 500 pcs**

Part No.	Description	Panel Thickness	Material	Colour
	[mm]			
CS-113-5	Use abse CS-113-3	-	Nylon 6/6, RMS-01	NAT

Average Insertion & Extraction Data				
Part No.	CS-113-1		CS-113-4	
	Insertion	Extractin	Insertion	Extraction
	[N]			
CS-113-2	34	22	12	11
CS-113-5	24	64	16	38