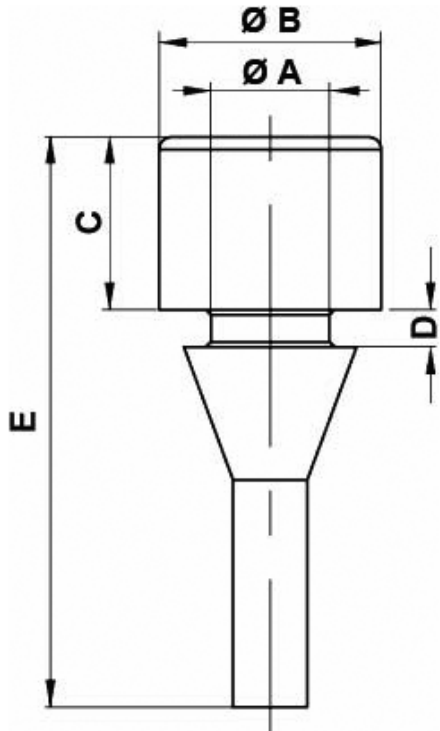


**FP-11241 - Pull Mount Bumper**



Details:

- **Material: see table**
- **Kolor: black**
- Working temperature:
  - EPDM: -40°C do +120°C
  - SILICONE: -60°C ~ +250°C
- Standard pack: see table

Part No.	A	B	C	D	E	Material	Standard pack
	[mm]						[pcs]
11242GS01	3.0	6.0	2.0	0.6	8.6	EPDM 50 Shore A	3000