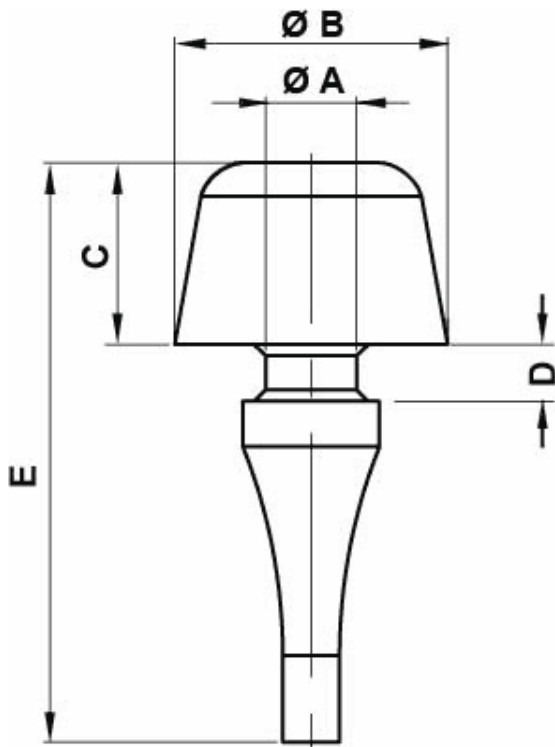


**FP-11220 - Pull Mount Bumper**



Details:

- **Material:** see table
- **Kolor:** black
- Working temperature:
  - EPDM: -40°C do +120°C
  - NBR: -35°C do +110°C
- Standard pack: see table

| Part No.  | A    | B   | C   | D   | E    | Material     | Standard pack |
|-----------|------|-----|-----|-----|------|--------------|---------------|
|           | [mm] |     |     |     |      |              | [pcs]         |
| 11231NR01 | 5.0  | 8.0 | 8.0 | 2.2 | 19.2 | NBR 60 Shore | 3000          |