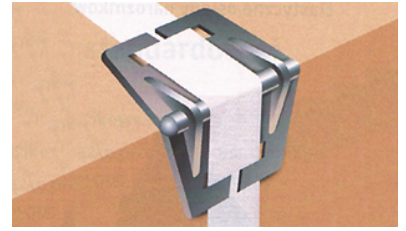
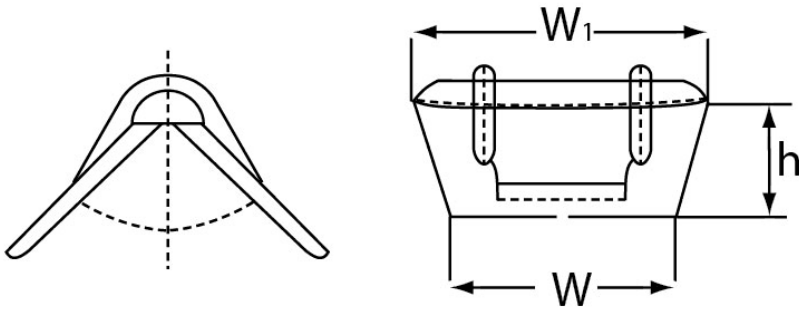


O-OSSK - Slotted Edge Protectors



Details:

- **Material: PP or LDPE**
- **Color: black or natural**
- Slotted for ease of application
- Polypropylene version for metal strapping

Part No.	Slot		Tape width	W	W1	h	Material	Standard pack	Colour
	[mm]			[pcs]					
O-OSSK-110245	no	28	40	40	40	LDPE	1000	BLK	