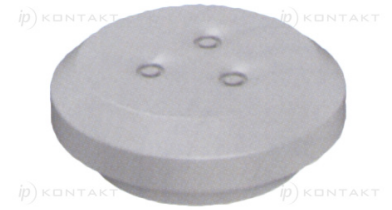
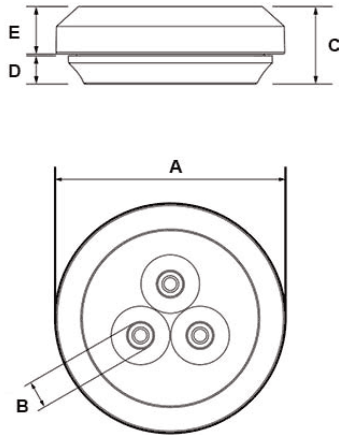


FP-9051 - Snap-fit IP67 protection grommets



Details:

- **Material: TPE**
- **Material available on special order: TPE V0**
- **Color: light grey (RAL 7035), black (RAL 9005), white (RAL 9010)**
- Working temperature: -40°C do +110°C
- International Protection Marking: IP67
- SEMKO conformity

Part No.	Gwint	Max. bundle diameter	Hole	Panel thickness	A ¹	B	C	D	E ¹	Color	Standard pack
											[pcs]
9052PF117035	M25	3 x 4 - 9	25.5	0.5 - 3.5	32.5	7.0	11.0	4.0	6.7	jasny szary	500

¹ - Varies depending on the thickness of material installed in.