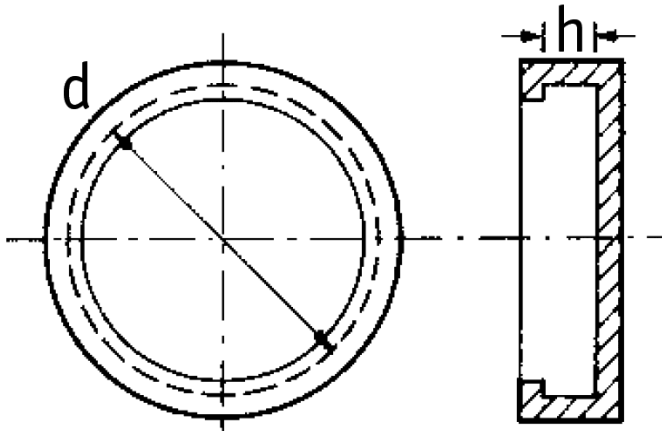


O-PK - Flange Cover



Details:

- **Material: Flexible Polyethylene**
- **Color: Yellow**
- **Ideal for protecting internally-coated flanges**
- **Provide complete all-round flange protection**
- **Cover ANSI B 16.5, DIN 26312635 and BS4504**
- **Easy to fit**
- **Durable and flexible**
- **Also protect bolt holes**
- **Suit all types of flange faces**
- **Standard pack: 100pcs**

| Part No.     | Nominal diameter | Series pressure group |       | d     | h    |
|--------------|------------------|-----------------------|-------|-------|------|
|              |                  | [Bar]                 | [lbs] |       |      |
| O-PK-035-220 | DN 100           | -                     | -     | 220.0 | 24.0 |