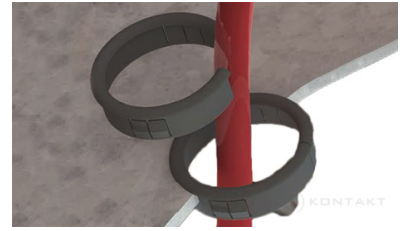
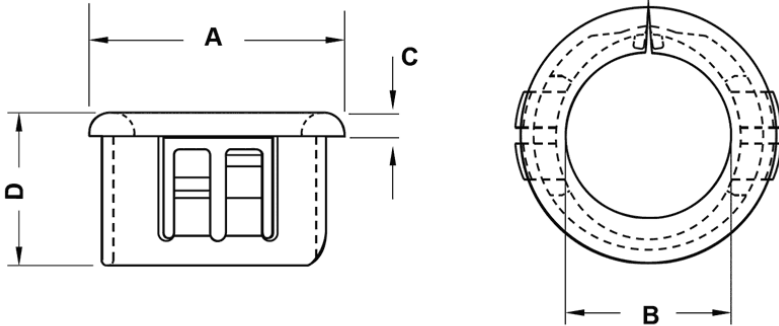


FP-5890 - Snap cable bushing



Details:

- **Material: Nylon 6.6 UL94V2**
- **Color: black**
- Working temperature: -35°C to +85°C
- Parts may appear with one or two fixing hooks per side

Part No.	A	B	C	D	Hole	Panel thickness	Standard pack
	[mm]						[pcs]
6753AA01	15.0	9.7	1.6	9.8	Ø12.7	0.8 - 3.3	1000