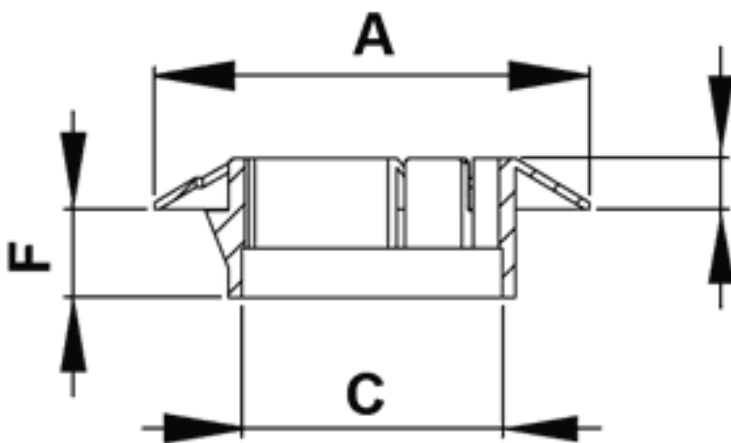
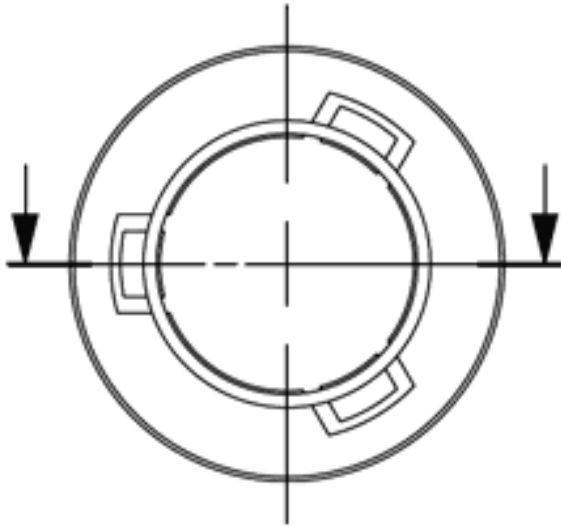
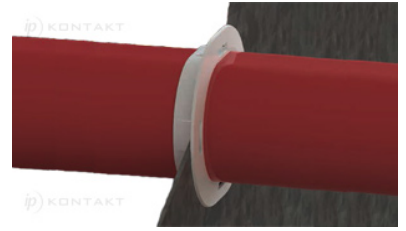


FP-0132 - Snap cable bushing



Details:

- **Material:** PA6.6 UL94V2
- **Color:** natural
- **Working temperature:** -35°C to +85°C

Part No.	A	B	C	D	E	F	Hole	Panel thickness	Standard pack
	[mm]								
0132AA00	53.0	43.0	40.0	30.0	2.0	6.0	45.0 x 35.5	0.5 - 1.2	1000