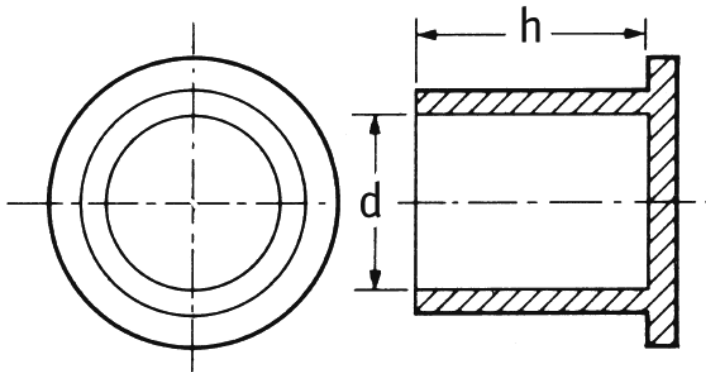


O-NZTG-3 - Stud Protection Caps



Details:

- **Material: LDPE**
- **Color: red or natural**
- Used throughout the automotive and engineering industries for protecting exposed studs

Part No.	d		h	Material	Color	Standard pack
	[cale]	[mm]				[pcs]
O-NZTG-3-159-718	5/8	15.9	71.8	LDPE	red	1000