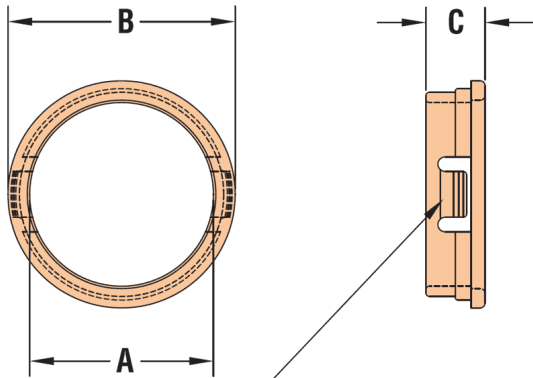


H-B - Thin Panel Bushings



Wiele stopni blokujących
Multiple finger steps

Details:

- **Material:** Nylon 6/6 UL94 V-2
- **Colour:** black (BLK) or white (WH)
- **Temperature Range:** -18°C to 105°C

Part No.	Locking steps	Mounting hole diameter	A	B	C	Maks. Panel thickness	Colour
			[mm]				
H-2853N	0.5, 0.8, 1.2	7.1	5.6	8.7	6.0	1.2	BLK