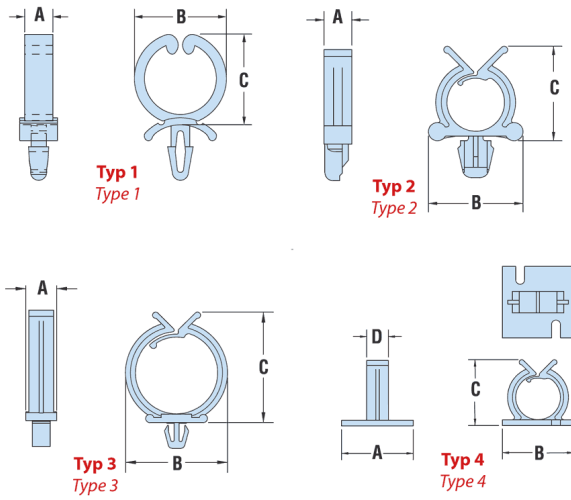


H-CHCS - Round Cable Holders



Details:

- **Material:** Nylon 6/6 UL94 V-2
- **Material Nylon 6/6 UL94 V-0 available on special order**
- **Colour:** natural
- **Temperature Range:** 0°C do 85°C

Part No.	Max. bundle diameter	C	A × B	Mounting hole diameter	Panel thickness	Colour	Type
	[mm]						
H-3931	15.9	24.1	25.4 x 25.4	6.4	adhesive	natural	4