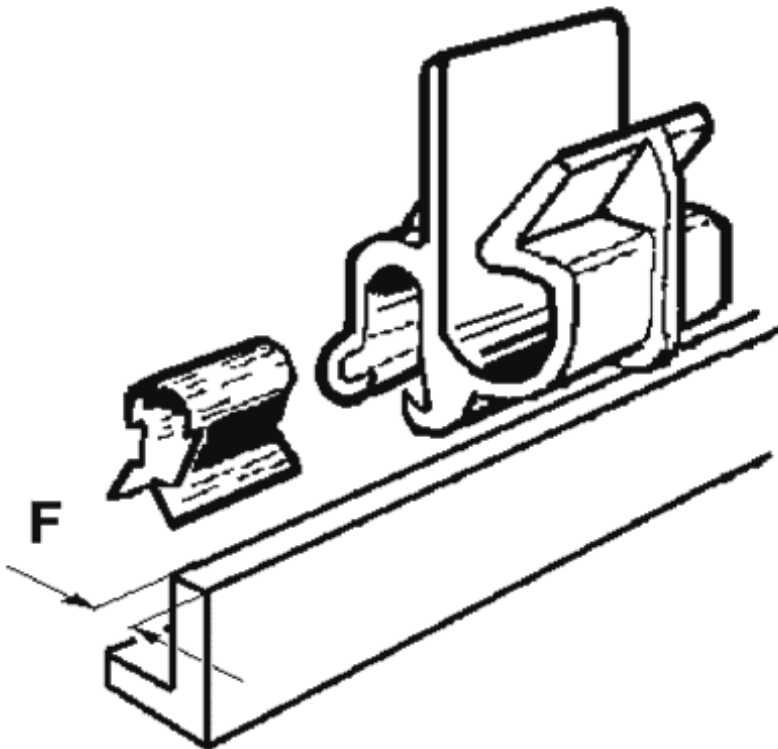
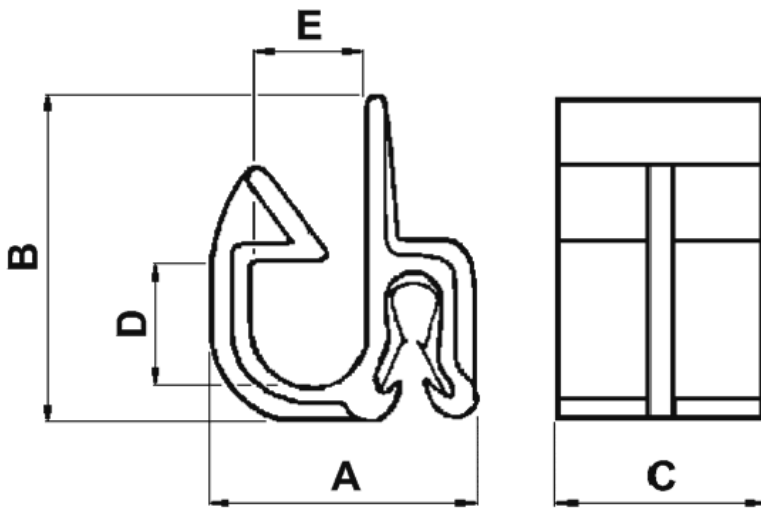


FP-5486 - Wire clips with steel grip



Details:

- **Material:** PA 6.6 UL94V2
- **Color:** black
- Working temperature: -35°C - 85°C
- Standard pack: see table
- These products are suitable for mounting on the edge of supports of various types, by means of a steel grip fitted with retaining teeth. This conformation avoids perforations, ensuring good fastening strength. The plastic body guarantees excellent electrical insulation.

Part No.	A	B	C	D	E	F	Standard pack
	[mm]						[pcs]
5486AA01GS	21.0	22.5	15.0	8.8	8.6	0.5 - 1.5	1000