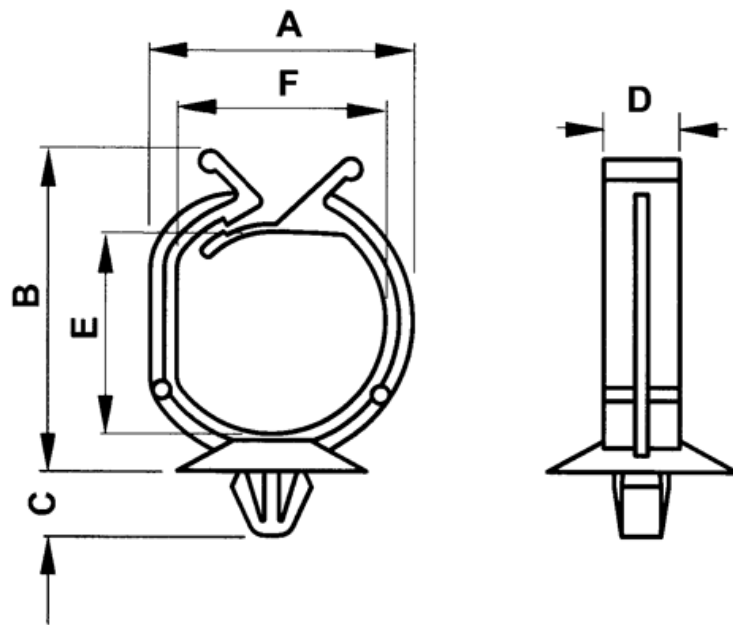


FP-2476 - Wire and pipe clips - top open



Details:

- **Material: PA 6.6 UL94V2**
- **Color: natural or black**
- Working temperature: -35°C - 85°C
- Standard pack: see table

Part No.	A	B	C	D	E	F	Hole	Panel thickness	Standard pack	Colour
	[mm]									
2764AA01	28.0	35.0	5.0	8.0	22.0	22.0	Ø6.5	0.8 - 1.5	1000	black