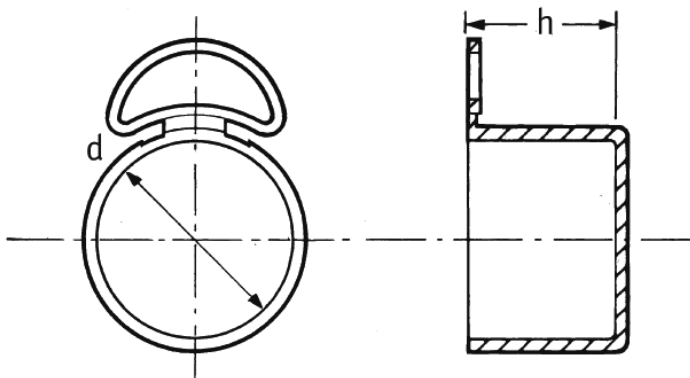


O-SMN - Quick-Fit/Quick-Release Caps



Details:

- **Material: LDPE**
- **Color: see table**
- Quick fitting and removal
- Simple tear-away tab for quick release

Part No	Thread type	Thread size	h	d	Colour	Notes	Standard pack
			[mm]				[pcs]
O-SMN-200-200	metryczny	M20	20.0	20.0	yellow		1000